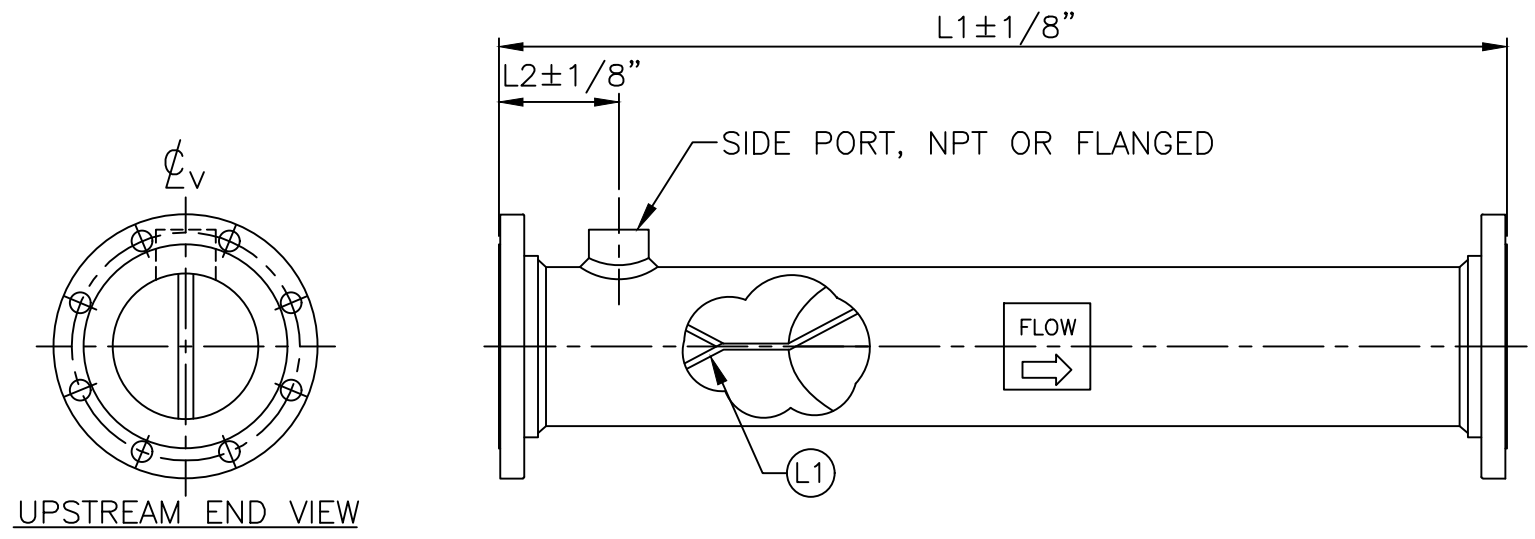
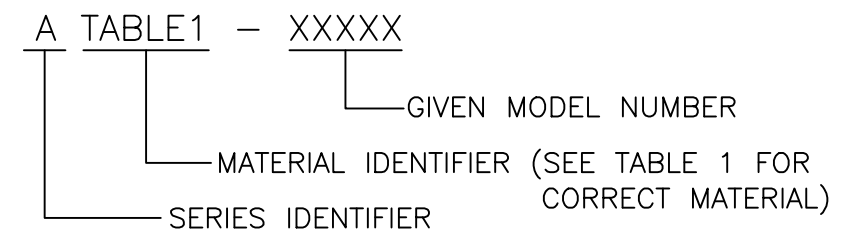


COMMON MATERIAL IDENTIFIER TABLE 1	
SYMBOL	MATERIAL
C	CARBON STEEL
S	STAINLESS STEEL
F	FIBERGLASS
P	PVC
CP	CPVC



'A' SERIES NUMBERING SYSTEM



'A' SERIES CARBON STEEL MODEL NUMBER EXAMPLE
AC - 12345

TABULATION BLOCK						
LINE SIZE, NPS "D"	L1 (IN)				L2 (INCH)	SIDE PORT (INCH)
	2 ELE	3 ELE	4 ELE	5 ELE		
3/4	6	7	8	9	3	1/4
1	7	8	9	11	3	1/4
1 1/2	9	11	13	16	3	1/2
2	11	13	16	19	3	3/4
2 1/2	13	16	19	22	3 1/2	1
3	15	19	22	28	4	1 1/2
4	19	24	29	32	4 1/2	1 1/2
6	22	30	37	46	5	1 1/2
8	28	38	48	58	5 1/2	2
10	34	48	60	72	6	2
12	40	56	70	84	6	2

ALL DIMENSIONS ARE IN INCHES



NOTES:

1. ALL MATERIAL OF CONSTRUCTION AND FLANGE RATINGS AVAILABLE IN ALL SIZES.
2. MULTIPLE INJECTION PORTS (NPT OR FLANGED) CAN BE PROVIDED.
3. PLEASE CONTACT KOMAX FOR FURTHER ASSISTANCE REGARDING SIZES OVER 12" DIA., DIFFERENT MATERIAL OF CONSTRUCTION, CORROSION RESISTANT COATING, LININGS, FLANGE TYPE, FLANGE RATINGS ETC.

THIS DOCUMENT IS THE PROPERTY OF KOMAX SYSTEMS, INC. THE INFORMATION HEREON MAY NOT BE USED NOR REPRODUCED WITHOUT THE WRITTEN PERMISSION OF KOMAX SYSTEMS, INC.

MANUFACTURED UNDER ONE OR MORE OF THE FOLLOWING U.S. PATENTS
 3201813 3923288, 4034965, 4208136, 4614440, 4808007,
 5066137, 5176448, 5484203, 5758967, 5947597, 6024842,
 6027241, 6082713, 6102561, 6132079, 6276823
 OTHER U.S. AND FOREIGN PATENTS PENDING



OUTLINE & MOUNTING CONFIGURATION		 	
KOMAX A-SERIES			
SCALE: 1/8" = 1"	APPROVED BY:	DRAFTER: AA	
DATE: DATE DRAWN		REV. DATE:	REV.
CUSTOMER: COMPANY NAME	QUOTE NO.: TBD JOB NO.: TBD	CODE# TBD	DRAWING NUMBER: 1 19598