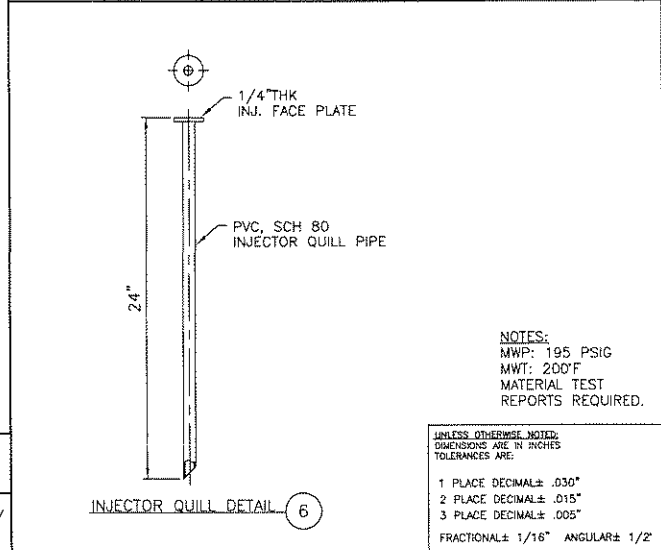


REVISION BLOCK				
REV. NO.	DATE	DESCRIPTION	DRAWN	APPR.
△	07-22-13	FOR REVIEW & APPROVAL	DP	
△	04-01-14	WAS: 54 INCH HI-PASS STATIC MIXER	DP	
△	04-15-14	WAS: HI-PASS STATIC MIXER	DP	
△	08-07-14	REVISED SIDE PORT FLANGE SIZES AND GASKET MAT.; INJECTOR QUILL MAT. WAS T316SS.	PLW	



NOTES:
 MWP: 195 PSIG
 MWT: 200°F
 MATERIAL TEST REPORTS REQUIRED.

UNLESS OTHERWISE NOTED, DIMENSIONS ARE IN INCHES TOLERANCES ARE:
 1 PLACE DECIMAL ± .030"
 2 PLACE DECIMAL ± .015"
 3 PLACE DECIMAL ± .005"
 FRACTIONAL ± 1/16" ANGULAR ± 1/2"

LIST OF MATERIALS

KOMAX STATIC MIXER △

ITEM NO.	QTY.	KOMAX PART NO.	DESCRIPTIONS	MATERIAL / REMARKS
1	1	---	HOUSING, 48 INCH DIAMETER SCHEDULE STD (3/8"THK) ROLLED & WELDED PIPE	T316LS.S.
2	2	---	BACK-UP RING FLANGE, 4B" AWWA TABLE 2 CLASS D	C.S.
3	2	---	END RING, 3/4" THICK x 53 1/2"OD	T316LS.S.
4	3	---	SIDEPORT, 40 PIPE (1 1/2", 1", 3/4" (SEE ITEM 5)) △	T316LS.S.
5-1	1	---	FLANGE, 1"-150# RFSO	T316LS.S.
5-2	1	---	△ FLANGE, 1 1/2"-150# RFSO	T316LS.S.
5-3	1	---	△ FLANGE, 3/4"-150# RFSO	T316LS.S.
6	5	---	REMOVABLE INJECTOR QUILL (3 SPARE)	△ PVC
7	3	---	GASKET, 1/8"THK (1 1/2", 1", 3/4" EACH FLG (SEE ITEM 5)) △	△ VITON
8	1	---	BLIND FLANGE, 1"-150# RF	T316LS.S.
9	4	---	STUDS, 1/2"Ø x 2 3/4"LG COMPLETE WITH NUTS & WASHERS	S.S.
10	3	---	△ KOMAX LDP TRIPLE ACTION MIXING ELEMENTS	T316LS.S.
11	1	---	NAMEPLATE ASSEMBLY	S.S.

THIS DOCUMENT IS THE PROPERTY OF KOMAX SYSTEMS, INC. THE INFORMATION HEREON MAY NOT BE USED NOR REPRODUCED WITHOUT THE WRITTEN PERMISSION OF KOMAX SYSTEMS, INC.

MANUFACTURED UNDER ONE OR MORE OF THE FOLLOWING U.S. PATENTS
 3201813, 3823288, 4034965, 4208138, 4814440, 4808007, 5086137, 5176448, 5484203, 5758967, 5847597, 6024842, 6027241, 6082713, 6102581, 6132079, 6276823
 OTHER U.S. AND FOREIGN PATENTS PENDING

KOMAX SYSTEMS, INC.
 15301 GRAHAM ST. HUNTINGTON BEACH, CA 92649-1110 310-830-4320 FAX: 310-830-9826

OUTLINE & MOUNTING CONFIGURATION

KOMAX MODEL NO. 64291 △



SCALE: 1/32" = 1"	APPROVED BY:	DRAWN BY: DP
DATE: 07-22-13		REV. DATE: 08-07-14 REV. 3
CUSTOMER:	QUOTE NO.: 60507-13	CODE# DRAWING NUMBER: 1
JOB NO.:	004	38023 / 1